



HOW-TO BOOKLET #3128 PREHUNG DOORS

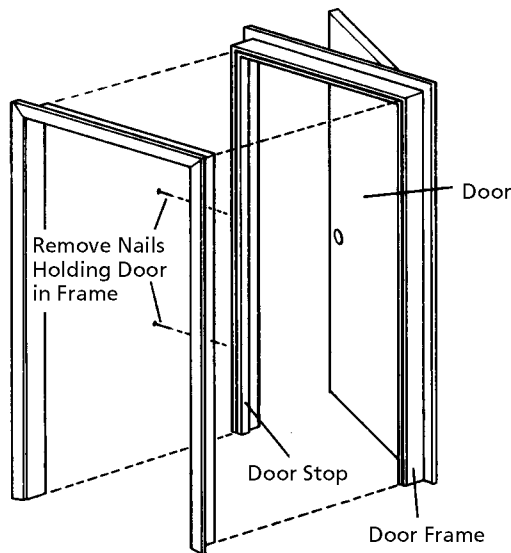


TOOL & MATERIAL CHECKLIST

- Prehung Door
- Door Knob
- Paint/Stain
- Wood Shims
- 4d and 10d Finishing Nails

Read This Entire How-To Booklet for Specific Tools and Materials Not Noted in the Basics Listed Above.

Fig. 1



Removing trim assembly

In recent years, the practice of hanging doors has given way to installing prehung doors. The reason is simple, prehung doors are much easier to install. The frame is complete, the door and hinges are already installed in the frame, and holes for the door knob and latch are predrilled. For exterior doors, the threshold is often already in place as well.

This booklet covers the installation of the three most common types of prehung doors: swinging, bi-fold, and bypass. If you prefer to hang your own doors, or the door you wish to use is not prehung, see How-To-Booklet #3058: Hanging Doors.

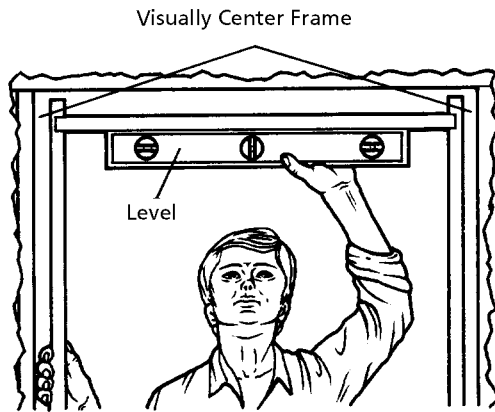
SAFETY FIRST

When operating power tools, always read and follow the manufacturer's directions. Keep saw blades sharp to avoid ragged cuts and saw kickback. Wear safety goggles and other protective clothing as necessary. Never operate or even plug in power tools when children are in the vicinity. Never operate power tools when under the influence of alcohol or any other type of drug.

PREPARING THE DOOR

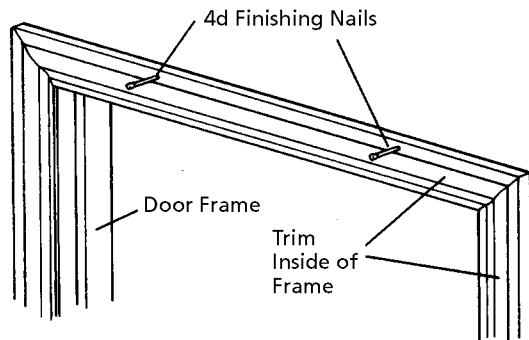
Set the door upright. The trim assembly must be removed from the outside of the frame, opposite the side the door opens toward (**Fig. 1**). This trim assembly may be taped or tacked to hold it in place during shipment. There are normally one or more nails driven through the door jamb and into the edge of the door to keep it from swinging open during shipping and handling; remove these. For bi-fold and bypass doors, remove the door from the frame if it is already installed.

Fig. 2



Visually center the top of this frame in the door rough opening. Carefully level the top of the door frame.

Fig. 3

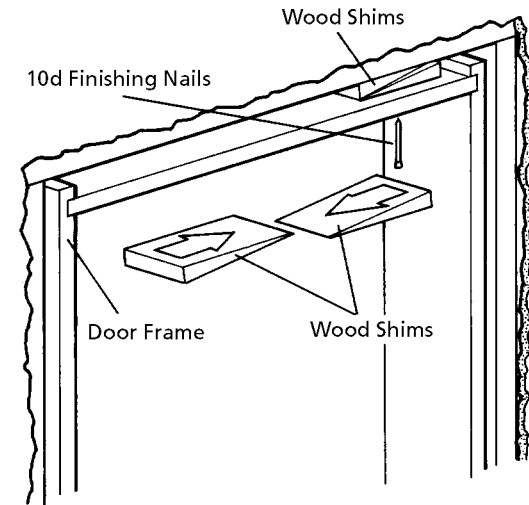


Tack the top of the frame in place with 4d finishing nails. Do not drive them all the way in.

CUTTING THE DOOR FRAME

- 1 Set the frame into the door rough opening. Visually center the top of the frame in the opening (Fig. 2).
- 2 Level the top of the frame and tack it into place with 4d finishing nails. DO NOT drive the nails all the way in (Fig. 3).
- 3 Set the trim assembly back into the door jamb, but do not tack it.
- 4 Check the frame at the bottom. If the finish flooring is already installed, the jamb should fit snugly but not too tightly against the flooring on each side. If the finish flooring is not installed, measure up from the subfloor 1/2" for carpet (more for thicker carpet) and 3/16" for vinyl; mark these measurements on each side of the door frame.
- 5 Ceramic tile and wood floors can be installed in varying thicknesses. A good rule is to add 1/16" to the thickness for these particular floors.
- 6 If there will be two different types of floors meeting at the door, the inside and outside are cut differently. Mark the door frame to the floor thickness measurement for the inside of the room and mark the trim assembly to the floor thickness measurement for the outside of the room.
- 7 If the frame needs to be trimmed, remove the 4d nails and take the frame out of the opening.
- 8 Use a circular saw with a sharp blade to cut the door jamb/trim assembly as necessary. You can also use a crosscut (hand) saw. Before cutting, be sure your measurements are correct. The old saying, "measure twice and cut once," can save a lot of needless waste.
- 9 Sand the cut edges as necessary. Unless you are an expert painter, you should paint or stain the door before installing; touch-up can be done afterward.

Fig. 4

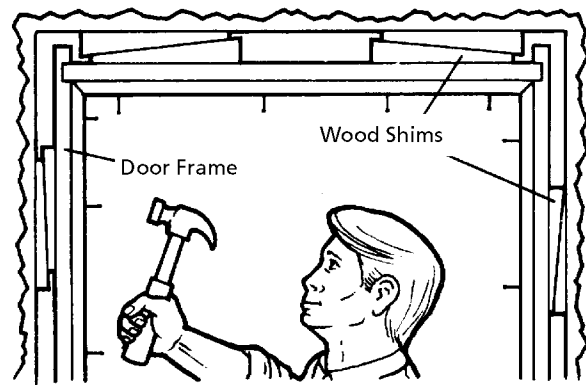


Push wood shims together for a snug fit.

INSTALLING THE DOOR FRAME

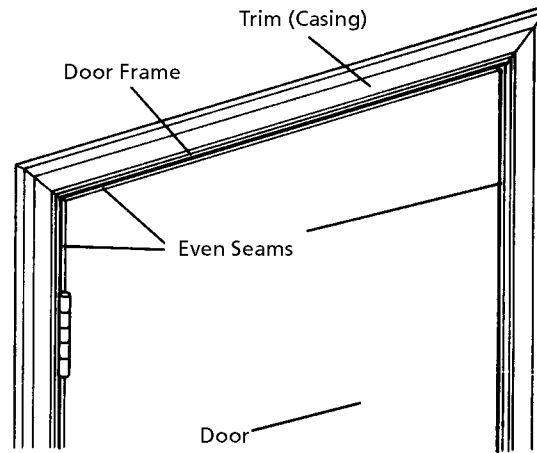
- 1 Set the frame back into place, again centering it in the opening.
- 2 Carefully level the frame and check to be sure that it fits correctly at the bottom. Start a couple 4d finishing nails in the same holes as before, but remember that it is critical to get the top perfectly level.
- 3 Place wood shims between the door frame and opening (Fig. 4). Wood shims are available at building material supply stores, or you can use cedar shakes. (Precut shims will probably be much less expensive).
- 4 Push the shims together until they are snug in the space and drive 10d finishing nails through the door frame, shims, and into the framing lumber of the opening (Fig. 5). If the space is particularly wide, you may need more than two shims. Use a pair of shims and one nail about every 16".

Fig. 5



- 5 For swinging doors, the nails should go through the door stop, but should NOT be driven all the way in yet.
- 6 For bi-fold and bypass doors, the nails should go generally in the center of the frame (front-to-back) and can be driven all the way in as long as you are sure the frame is level. Drive the nails close, but do not hit the frame with the hammer.
- 7 Level the hinge side of the frame (either side for bi-fold or bypass doors) and secure with three nails: one at the top, one at the bottom, and one in the center.
- 8 Use shims as before and DO NOT drive the nails all the way in on swinging doors. Repeat for the other side of the frame.
- 9 For a swinging door, close it and test for fit. The door should close easily and there should be an even seam on the top and sides (Fig. 6). Also, the door should not swing open or close on its own.

Fig. 6



Check swinging doors for an even seam before driving nails all the way in.

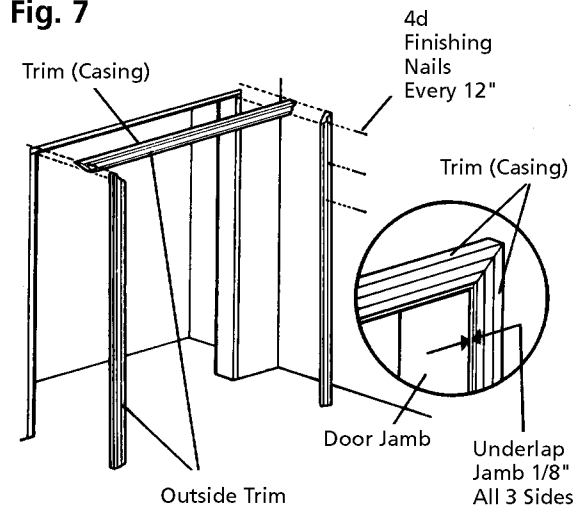
- 10 If the fit is not correct, the frame is not perfectly level. Check all sides with a level and adjust as necessary to get the correct fit.
- 11 When pulling a nail out, be sure to use blocking so that you do not damage the door frame.
- 12 For frames that bow or curve, move the shims to make the shim assembly thicker or thinner, or add shims as necessary.

INSTALLING THE OUTSIDE TRIM

Once the frame is level and the door fits properly, add shims and 10d finishing nails approximately every 12", or as needed to hold the frame secure all the way around. Nail close, but do not strike the wood with the hammer. Slide the trim assembly back into place in the frame. Nail the trim on both sides of the door approximately every 12" to 16" with 4d finishing nails. Again, do not strike the wood with the hammer.

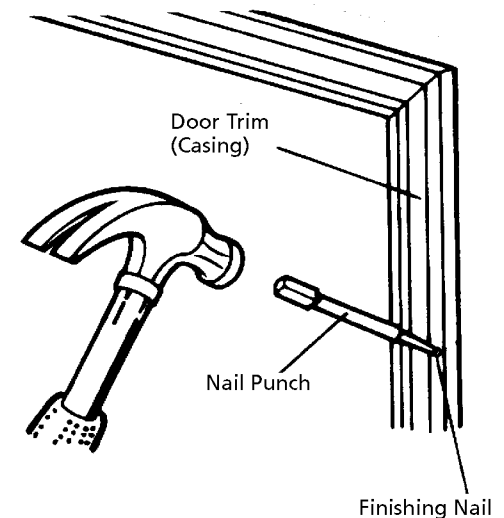
For some bi-fold and bypass doors, the outside trim must be installed one piece at a time. The pieces will be precut for proper fit, though the

Fig. 7



For some bi-fold and bypass doors the outside trim will need to be installed one piece at a time.

Fig. 8



sides may need to be trimmed to accommodate flooring material. Start with the top, then nail the sides into place using 4d finishing nails every 12" (Fig. 7). Underlap the door jamb approximately 1/8" on all three sides.

Use two nail punches, one for 10d and one for 4d nails, to set all the nails slightly below the surface of the wood (Fig. 8). On painted doors, fill the holes with wood putty and apply touch-up paint when the putty is dry. On stained doors, fill the holes using a matching color stick. Install the door knob as per the manufacturer's directions (if applicable).

INSTALLING BI-FOLD DOORS

Once the frame is in place, install the door track or channel in the top of the frame as per the manufacturer's directions (Fig. 9). The mounting hardware is normally included with the door.

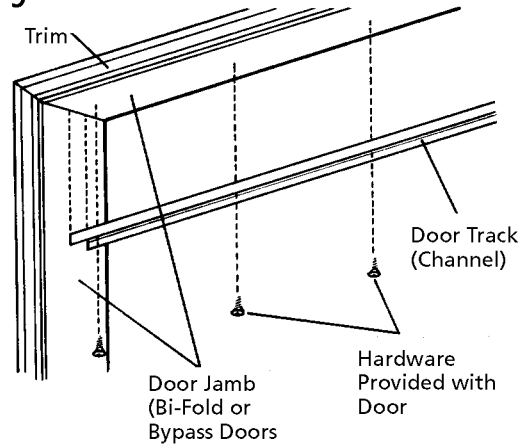
Install the bottom brackets at the bottom of each side of the frame then install the alignment stops on the door (Fig. 10). Set the door into the track at the top and into the brackets at the bottom.

INSTALLING BYPASS DOORS

Once the frame is in place, install the door track or channel in the top of the frame as per the manufacturer's directions. As with bi-fold doors, the mounting hardware is normally included with the door. Install the door guide in the floor, centered between the sides of the frame (Fig. 11). Set the doors in the track at the top and in the guide at the bottom.

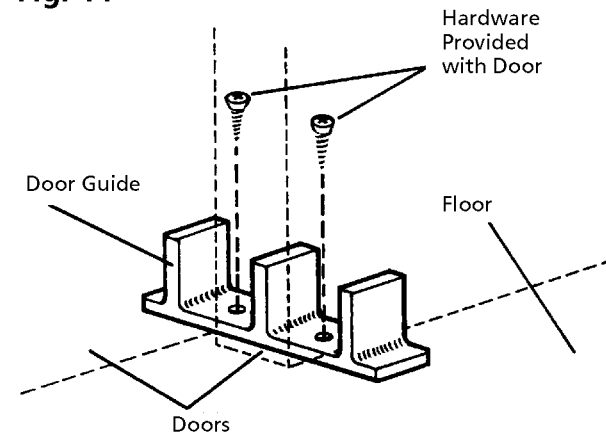
NOTE: With any type of prehung door, the exact hardware varies among manufacturers and may be different from what is shown here. The extent of the installation required may also vary.

Fig. 9



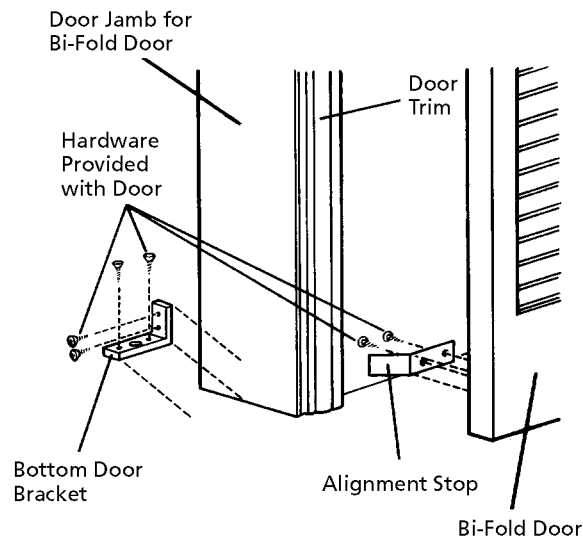
Installing door track or channel

Fig. 11



Installing door guide

Fig. 10



Installing bottom door brackets and alignment stops