



HOW-TO BOOKLET #3050 CLOSET ORGANIZERS



TOOL & MATERIAL CHECKLIST

PREFABRICATED:

- Kit Systems
- Tape Measure
- Power Drill/Bits
- Screwdriver
- Level
- Bolt Cutters or Hack Saw

HAND-BUILT:

- Plywood
- Nails
- Hammer
- C Clamps
- Lumber
- Screws
- Carpenter's Square
- Power Drill/Bits
- Table or Circular Saw

Read This Entire How-To Booklet for Specific Tools and Materials Not Noted in The Basics Listed Above.

A neatly organized closet can double storage space and put clothing and other items within easy reach. Organizers come in a variety of prefabricated types or can be built from wood. Both approaches are covered in this booklet.

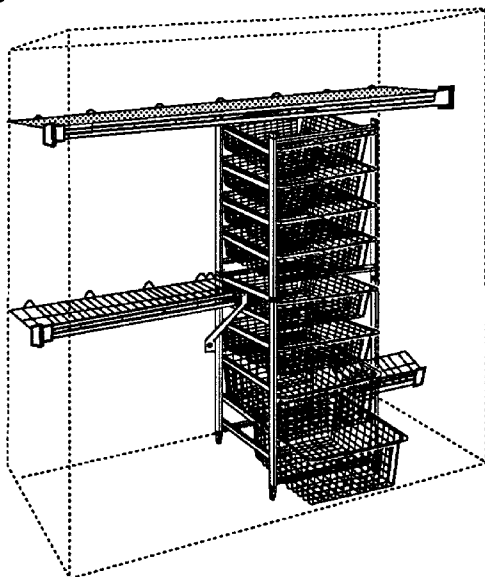
ASSESSING YOUR NEEDS

An arrangement depends on who will use the closet and what types of items will be stored. For shirts, blouses, pants and suits, two rods can be stacked vertically. For longer items, such as dresses, robes and full-length coats, allow only one rod. As many as three rods may be stacked vertically in a child's closet with in-season clothing in easy reach on the lower level.

Shelves and/or drawers for accessory items, lingerie and knits should be considered for those who prefer folding to hanging their clothing. Additional storage organizers such as shoe racks, tie/belt racks and hooks for sports equipment and the like can also be added. If space is tight, consider using the closet's interior door frame for these types of items.

Besides increasing storage space, closet organization also means making everything easier to see and reach so scale the design to the user. Vertical dimensions can be adjusted as long as there is a minimum of 3 inch clearance beneath hanging clothes.

Fig. 1

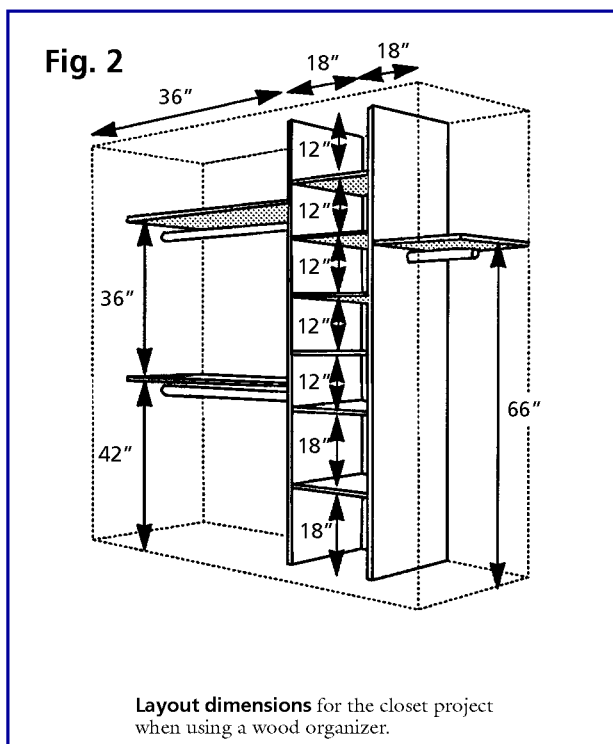


A typical 6-foot-wide, 8-foot-high reach-in closet organized for both a man and women to share.

This booklet covers a typical 6-foot-wide, 8-foot-high reach-in closet shared by a man and woman. The design principles and installation methods, however, can be applied to any type of closet. After installing the arrangement shown (Fig. 1), the closet will contain 7-1/2 feet of hanging space and 16-1/2 feet of shelf space, a 25% and 175% increase, respectively, over the standard closet. Adjust material quantities for a wider or narrower closet or for a different design.

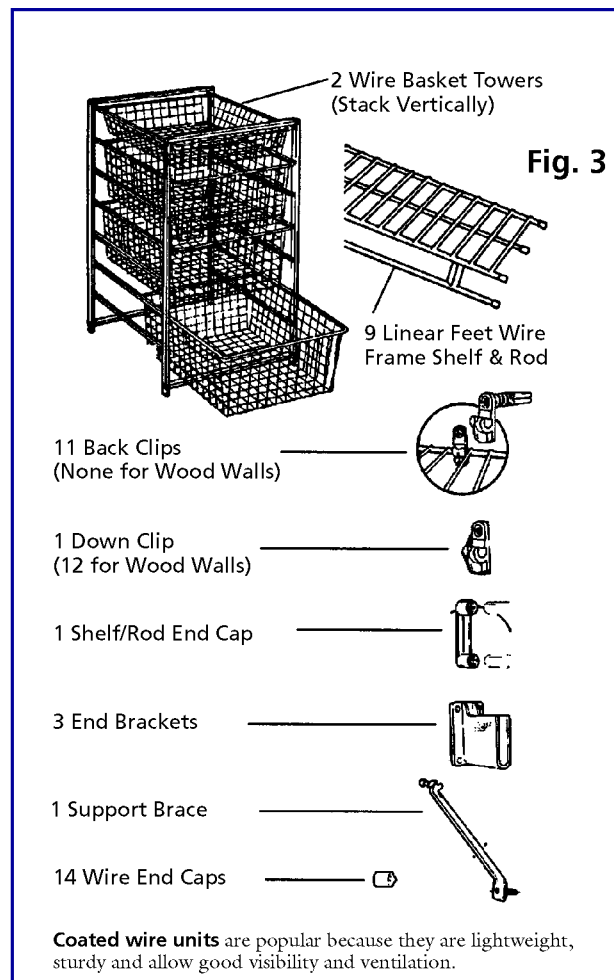
Fig. 2 gives dimensions of layout for a typical wood organizer. Begin by removing any molding in the closet that may be in the way.

CAUTION: Always wear eye and ear protection when using a power tool. Use tools and materials only in accordance with manufacturers' directions.

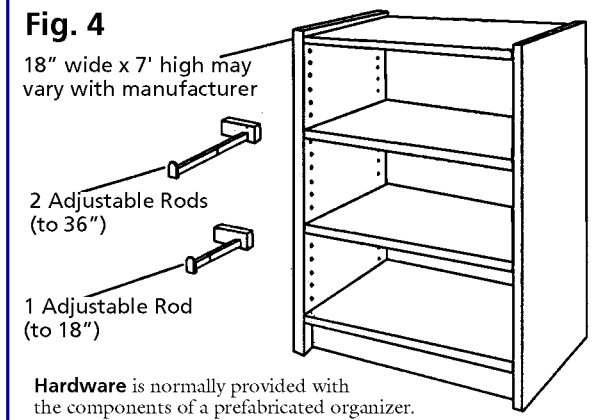


INSTALLING PREFABRICATED WIRE SYSTEMS

The most common prefabricated organizers are vinyl- or epoxy-coated wire, laminated particleboard, and veneered plywood. Coated wire units are popular because they are lightweight, sturdy, and allow for ventilation. They are also snag free and require no finishing or maintenance. Fig. 3 shows the materials necessary for this installation, but materials and assembly may vary with manufacturer.



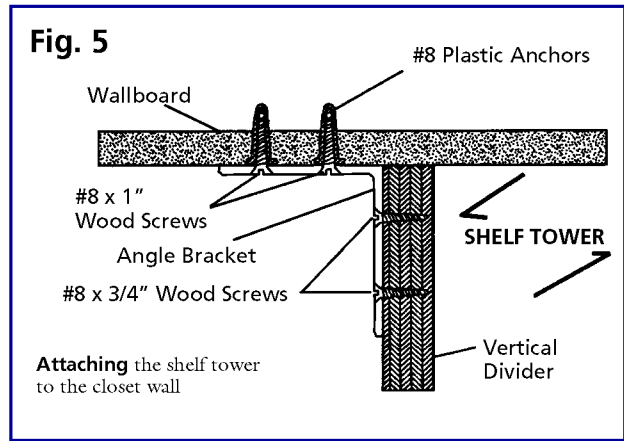
- 1 Mark 78 inches from the floor on the back wall of the closet. Using a level, draw a horizontal, level line through the mark. Two inches from each end and 5/8-inch above the line, drill holes with a 1/4-inch drill bit for drywall or a 5/32-inch drill bit for plaster and wood. Drill additional holes at 10 inch to 12 inch spacing along the line. Place a back clip into each hole and secure with the screw provided. (For wood walls use down clips.)
- 2 Cut a 71-inch length of wire shelf using bolt cutters. The shelf is cut to 1 inch less than the required width to allow for the end caps. A hack saw can be used, but takes considerably longer. Also, many building material suppliers will cut the material to your specifications. Slide a plastic end cap over the four cut pieces of wire at each end. Snap the back of the wire shelf into place in the back clips.
- 3 Level the shelf front to back. Temporarily slide the end caps onto the wire shelf and mark the hole locations on the side walls of the closet. Tilt the shelf back out of the way. Use a 5/32-inch bit to drill holes through the marks and insert a plastic anchor into each. Secure the end bracket with the screws provided. Slide the shelf back down and snap into the end bracket.



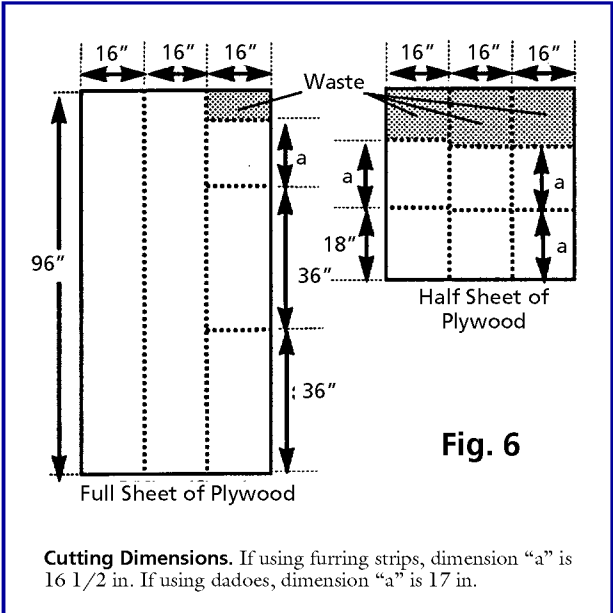
- 4 Use the same procedure to install a 3-foot shelf on the left side at 42 inches above the floor. (Cut the shelf to 35 inches) The right side of the shelf is secured with a support brace. Attach the brace to the front of the shelf following the manufacturer's directions. Add a down clip to the back of the shelf opposite the support brace. Secure the down clip to the wall with a plastic anchor and screw. Set the brace in place, level, and mark the bottom hole through the support bracket on the closet wall. Remove bracket and drill through the mark. Insert a plastic anchor. Set the brace back into place and secure with a screw.
- 5 Assemble the wire drawer system frame following the manufacturer's directions. Slide the wire baskets into place in the frame, then slide the entire unit into the closet. If the unit is to be anchored to the wall, follow manufacturer's directions. Add a coated wire shoe rack at bottom right if desired.

INSTALLING PREFABRICATED WOOD ORGANIZERS

Prefabricated wood organizers are heavier than wire units and therefore intrinsically stronger. Materials may vary with manufacturer, but Fig. 4 shows those items needed to build the project.



- 1 Assemble shelf tower and attach to closet wall following manufacturer's directions. If there are no directions or hardware, go to Step 2.
- 2 You will need 4 angle brackets, 4 plastic anchors for no. 8x1 inch wood screws. Set the tower in place and hold an angle bracket against the unit (Fig. 5). Use a pencil to mark the hole locations on the wall and the shelf tower. A bracket is needed on each side of the top and each side of the bottom. Drill a 5/32 inch hole through the four marks in the closet wall and set a plastic anchor in each. Drill a screw starter hole into each of the four marks on the shelf tower. Set the anchors back into place and secure with wood screws. The 1 inch screws go into the anchors in the wall and the 3/4 inch screws go into the shelf tower.
- 3 Install the adjustable rods at the heights shown (Fig. 2) and the shelves above the rods following manufacturer's directions. The shelving will probably have to be trimmed and check for level.

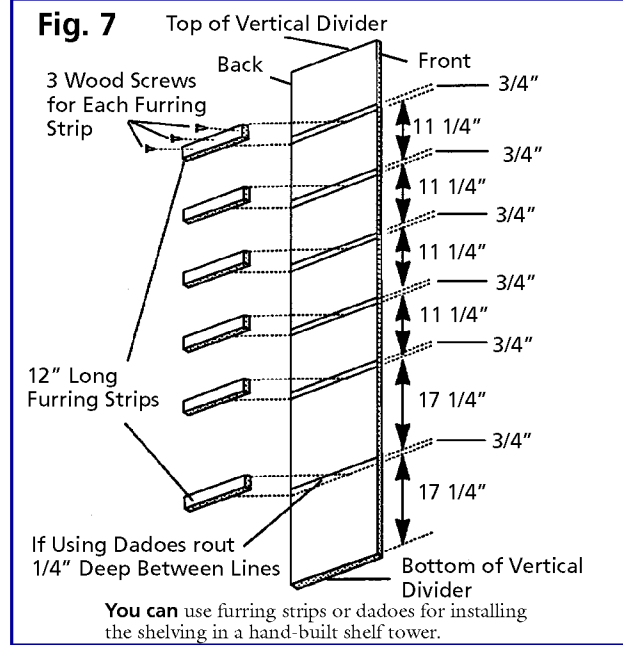


HAND-BUILT ORGANIZERS

You can build organizers yourself, but some carpentry experience is helpful.

Note: There are two common methods for assembling the shelf tower, using furring strips to support the shelf edges or cutting dados in the vertical dividers. The material list (p. 1) is split to show quantities using both methods.

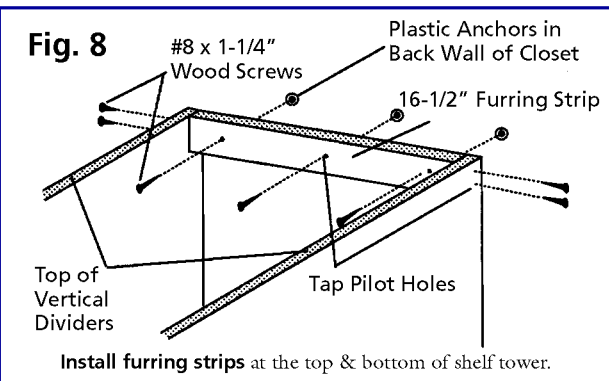
Materials List	Qty if Furring	Qty if Dados
3/4 in. Plywood	1-1/2 sheets	1-1/2 sheets (finished both sides)
1x4 Clear Grade Lumber	16 LF	16 LF
1x2 Furring Strips	15 LF	3 LF
1-1/2in. Wood Round (or Galvanized pipe)	8 LF	8 LF
3/4 in. Plywood		
Edge Trim	33 LF	33 LF
No. 8 x 1-1/4 in. Wood Screws	60	15
Plastic Anchors for No. 8 Screws	6	6
10d Finishing Nails	1/2 LB	1/2 LB
6d Finishing Nails	1 LB	1 LB
Wood Cement	as needed	as needed



- 1** Cut the plywood as shown in **Fig. 6** or ask your building material supplier to do it for you.

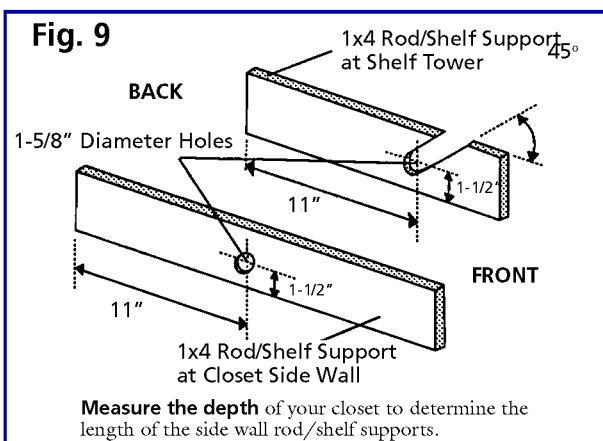
Note: In the following three steps, instructions are given for using furring strips to support the shelves in the shelf tower or, if you are experienced with a router, you may prefer to use dados for installing the shelving.

- 2 (FURRING STRIPS):** Cut the 1x2 furring into twelve 12-inch pieces and two 16-1/2 inch pieces.
- 2 (DADOES):** Cut the 1x2 furring into two 16-1/2 inch pieces.
- 3 (FURRING STRIPS):** Mark the two vertical dividers (8 foot lengths of plywood) as shown in **Fig 7**. Use three wood screws to attach a furring strip at the bottom line of each pair of lines, keeping the strip aligned with the back edge of the divider. Tap pilot holes in the strips with 6d nails.
- 3 (DADOES):** Mark the two vertical dividers (8 foot lengths of plywood) as shown in **Fig. 7**. Temporarily clamp a 2x4 in place as a guide for the router. Each dado should be 3/4 inch wide and 3/4 inch deep.
- 4 (FURRING STRIPS):** Tack two braces into the back edge of the two vertical dividers to hold them in place while installing the shelves.



Install each of the six shelves with six 6d finishing nails at each end. Three nails go through the vertical supports and into the shelf and three go down through the shelf and into the furring strip. Remove the temporary braces.

- 4 (DADOES):** Place wood cement in the grooves and install the shelving. Secure each side of each shelf with three 6d finishing nails.
- 5** Install the 16-1/2 inch furring strips at the top and bottom of the shelf tower (**Fig. 8**) using two wood screws at each end of each strip. Tap pilot holes first. Set the shelf unit in the correct position in the closet. Drill through each strip three times, at each end and in the middle, using a 5/32 inch drill bit. The hole should go through the wall material of the closet. Remove the tower. Place anchors in the holes in the wall. Set the tower back into place and secure the furring strips to the anchors with wood screws. Nail the 18"-wide shelf to the top of the tower with 6d finishing nails, three on each side.
- 6** Measure the depth of your closet. Cut three pieces of 1x4 lumber to this depth. Cut three more pieces 16 inches long. Draw a vertical line 11 inch from one end of each piece.



Measure 1-1/2 inches up from the bottom. Drill a 1-5/8 inch hole at this location in each of the six pieces. On the three short pieces, draw lines at a 45-degree angle toward the top, tangent to the sides of the drilled hole (**Fig. 9**). Cut along these lines with a circular saw. These are the rod/shelf supports.

- 7** Secure the three rod/shelf supports (drilled holes only) to the sides of the closet (**Fig. 10**) at the heights shown in **Fig. 2**. Use 10d finishing nails, two at each end and two at the center stud. The end nails may need to be angled so that they go into the wall studs. Use a level to mark the location of the three rod/shelf supports (with angled cutouts) on the shelf tower. Secure each with three wood screws.
- 8** Cut one rod to 1-1/2 feet and two rods to 3 foot. Install the rods by inserting into the drilled hole in the wall support, then sliding into the angled cutout in the supports attached to the shelf tower.
- 9** Secure the shelves above the rods by nailing into the supports with 6d finishing nails, four each side of each shelf.
- 10** Trim plywood edges for a finished look. Reinstall molding. Stain, paper or paint to match decor.

